

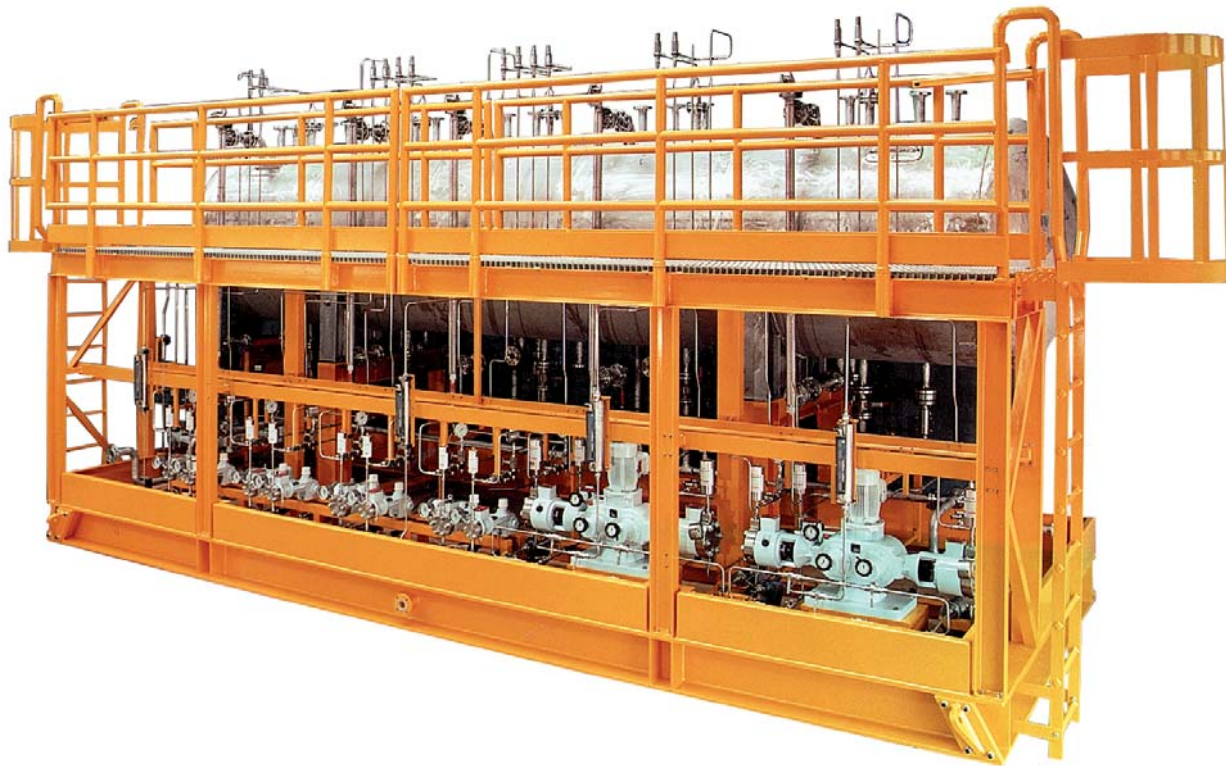


AutoBlend Systems

OFFSHORE CHEMICAL METERING SYSTEMS

Advantages

- Design, purchasing, building and expert pump selection provided by one company.
- Remote operation with automatic stroke control of pumps.
- Long service life of diaphragm pumps with remote alarm for failure.
- Additional heads can be added for future injection points.
- Variable speed motor or stroke control can be added to inject chemical automatically in proportion to the main flow.



Chemical injection for oil and gas offshore fields is required to treat seawater and associated pipelines before reinjection and for flow assurance.

Seawater treatment consists of metering bactericides, oxygen scavenger, scale and corrosion inhibitors in proportion to the main seawater flow.

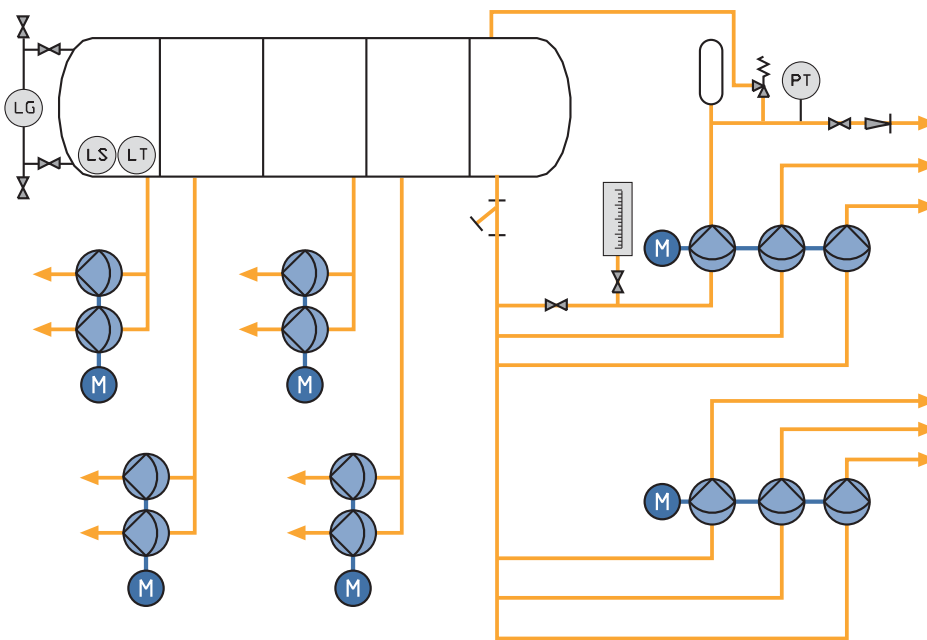
For flow assurance pour point depressants, antifoaming agents, wax inhibitors, polymers, scale and corrosion inhibitors, and hydrate inhibitors are injected at high pressures to maintain oil flow and protect oil pipelines.

Packages are custom built to meet customer specification and space requirements.

Components

- 4 horizontally combined double-head pumps and 2 vertically combined triple head pumps all of a double-diaphragm design.
- Multi-compartment cylindrical storage tank manufactured in stainless steel (316).
- Suction side calibration facility.
- 12 discharge pulsation dampers.
- 12 discharge relief valves.
- 5 tank level transmitters.

Simplified process diagram



Automation

- Monitoring of tank levels linked to pump motor shut down when tank is empty.
- Diaphragm condition monitoring and shutdown if pump fails.

Global locations

USA

SPX GLOBAL HEADQUARTERS

13515 Ballantyne Corporate Place
Charlotte, NC 28277
United States of America
Phone: +1 704 752 4400

EMEA

SPX FLOW TECHNOLOGY

Werkstraße 4
D-22844 Norderstedt
Phone: +49 (0) 40 - 522 02 -0
Fax: +49 (0) 40 - 522 02 -444

SPX FLOW TECHNOLOGY

Ironstone Way
Brixworth, Northants, NN69UD
Phone: +44 (0) 1604 881751
Fax: +44 (0) 1604 880145

APAC

SPX FLOW TECHNOLOGY

25 International Business Park
#03-03/12, German Centre,
Singapore 609916
Phone: +65 6568 1568
Fax: +65 6265 9133
E-Mail: asia.pacific@spx.com



SPX FLOW TECHNOLOGY 611 Sugar Creek Road, Delavan, WI 53115

P: (800) 252-5200 or +1 (262) 728-1900, F: (262) 728-4904

E: branluebbe@spx.com • www.spx.com

SPX reserves the right to incorporate our latest design and material changes without notice or obligation. Design features, materials of construction and dimensional data, as described in this bulletin, are provided for your information only and should not be relied upon unless confirmed in writing. Please contact your local sales representative for product availability in your region. For more information visit www.spx.com. The green ">" is a trademark of SPX Corporation, Inc. ISSUED 08/2012 BL-1617 COPYRIGHT © 2012 SPX Corporation